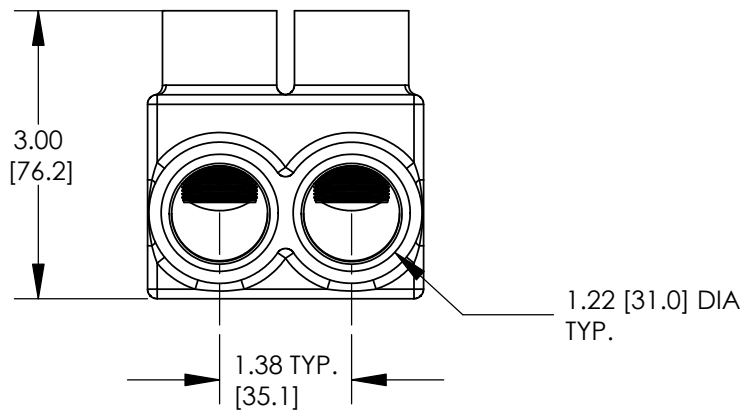
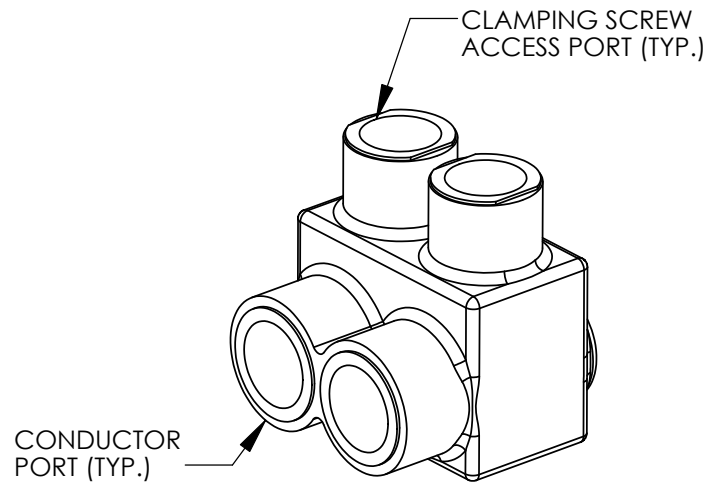
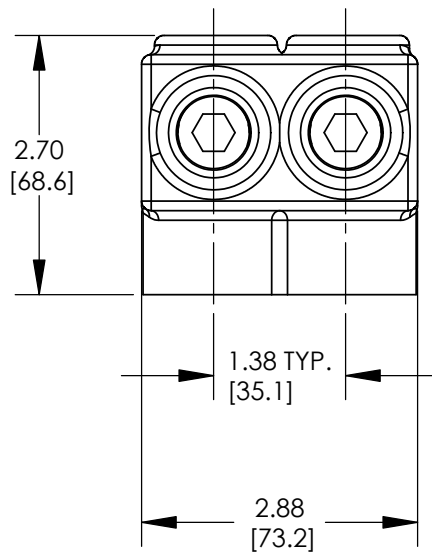


THIS COPY IS PROVIDED ON A RESTRICTED BASIS AND IS NOT TO BE USED IN ANY WAY DETRIMENTAL TO THE INTERESTS OF PANDUIT CORP.



NOTES:

1. DIMENSIONS IN PARENTHESIS ARE MILLIMETERS.
2. UL LISTED AND CSA CERTIFIED. DUAL RATED CU9AL FOR ALUMINUM OR COPPER CONDUCTORS.
3. VOLTAGE RATING: 600V MAX
4. TEMPERATURE RATING: 90° C
5. WIRE RANGE: 750kcmil - 1/0AWG
5. CONNECTOR BLOCK BODY IS MADE FROM ALUMINUM. CLAMPING SCREWS ARE ALUMINUM, TIN PLATED. PORTS IN CONNECTOR BLOCK ARE PREFILLED WITH AN OXIDE INHIBITING COMPOUND.
6. INSULATION MATERIAL IS CLEAR PVC.
7. CLAMPING SCREW ACCESS PORTS AND ALL CONDUCTOR ENTRY PORTS ARE PROVIDED WITH REMOVABLE PLASTIC CLOSURE PLUGS.
8. HEK KEY SIZE: 11/16"
9. ALL DIMENSIONS SHOWN ARE NOMINAL.
10. PACKAGE QUANTITY: -1 = 1



LISTED



CERTIFIED

C41708_00

REV	DATE	BY	CHK	DESCRIPTION	ECN	PM	APP
00	8/07	JHNU	LEM	DRAWING RELEASED			

PANDUIT CORP. TINLEY PARK, ILLINOIS

MULTI-TAP INSULATED CONNECTOR
(PCSB750-2S-1)
CUSTOMER DRAWING

DRAWN BY JHNU	CHK'D	SCALE NONE	DRAWING NO / CAD FILE C41708
------------------	-------	---------------	---------------------------------